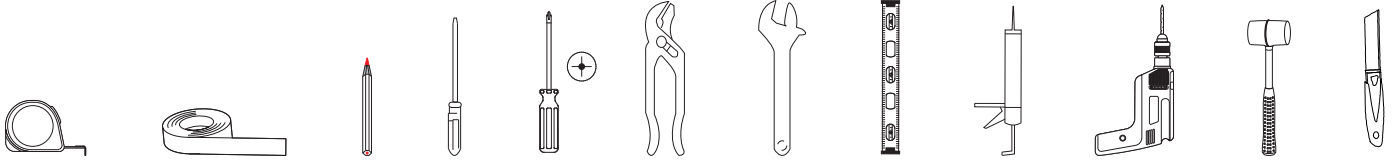


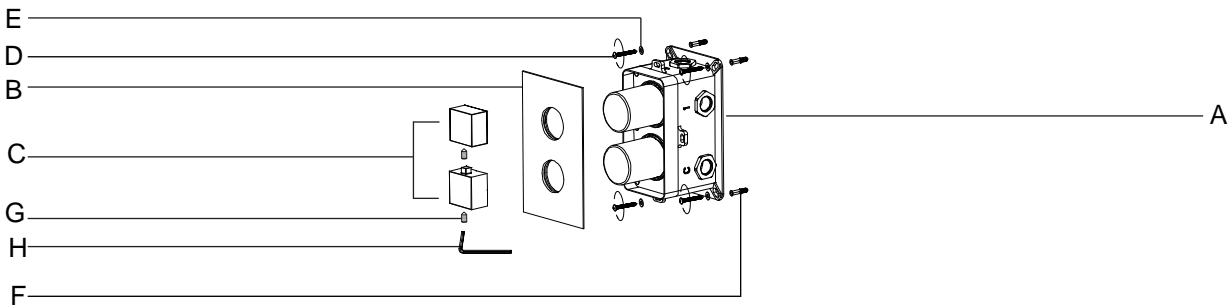
TOOLS NOT INCULDED



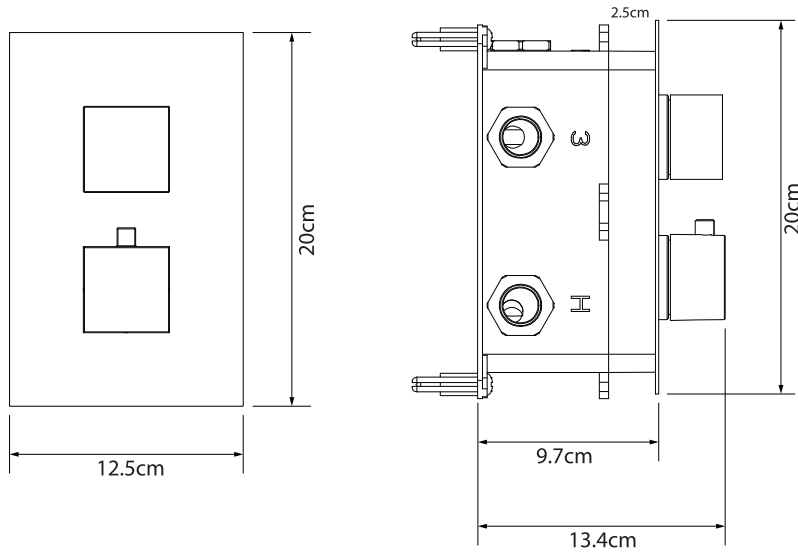
SPARE PART LIST

A (1 pc)	B (1 pc)	C (1 set)	D (20 pc)	E (20 pc)	F (20 pc)	G (2 pc)	H (1 pc)

Extra hardware may be included for replacement purposes



DIMENSIONS



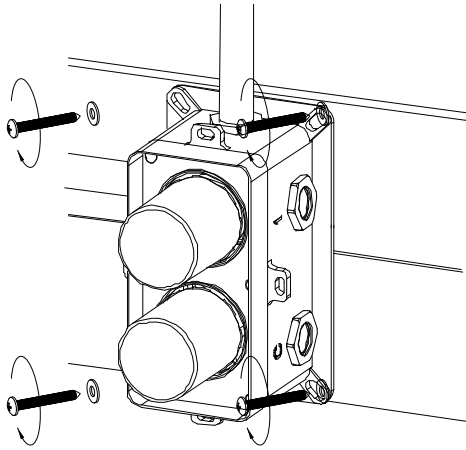
TECHNICAL DATA

Maximun operating pressure	0.86MPA
Recommended pressure	0.3MPA
Test pressure(should be less then 860KPA)	0.1MPA~ 0.3MPA
Max hot water temperature	80°C
Recommended hot water temperature	48~ 71°C

INSTALLATION

Install water supply(not included)as shown. Modify as need according to a plumbing professional.

Using a level,position the shower mixer body both horizontally and vertically evenly throught wooden structure. Mark its position and secure the thermostatic valve body in place using metal washers and screws. During instalstion, do not remove the protective plastic cover from the thermostatic valve body.



Do not remove the protective plastic covers

Chart 1

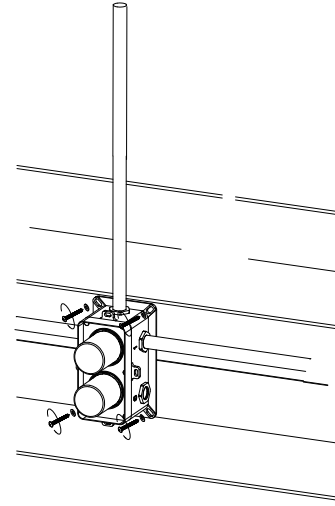
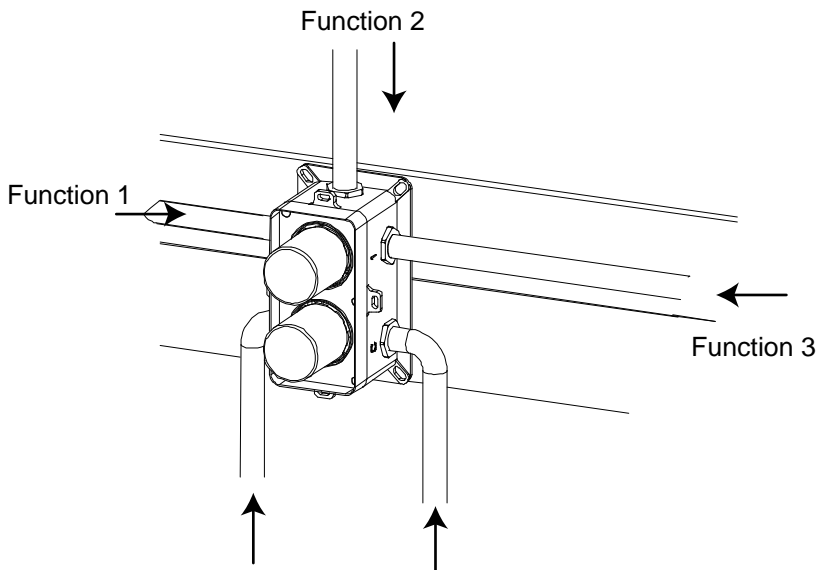


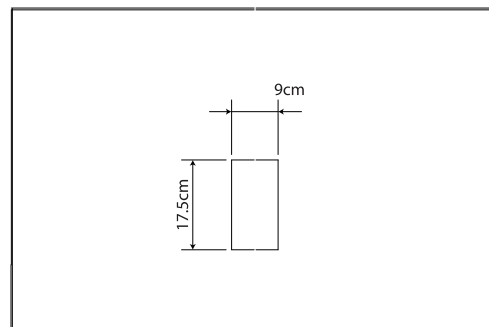
Chart 2



Hot and Cold water inlets

Chart 3

Finish the pipe work. Test all connections for leaks.
Attention! The feeding pipes have to be rinsed carefully before the installation of the device so that there won't remain shavings,or other impurities inside the pipes.
Hand tighten all connections, welding is not allowed.



Creat opening holes on both the drywall ang tiles, similar to diagram

Chart 4

INSTALLATION

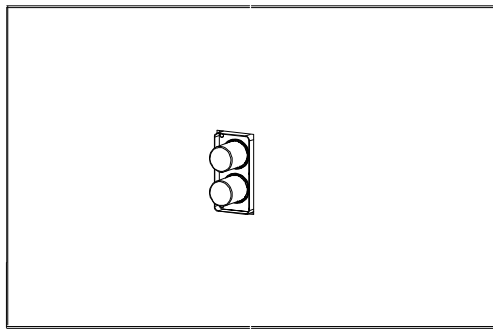


Chart 5

Follow in the cut-out diagram, tile the wall
Cut the bulged edge

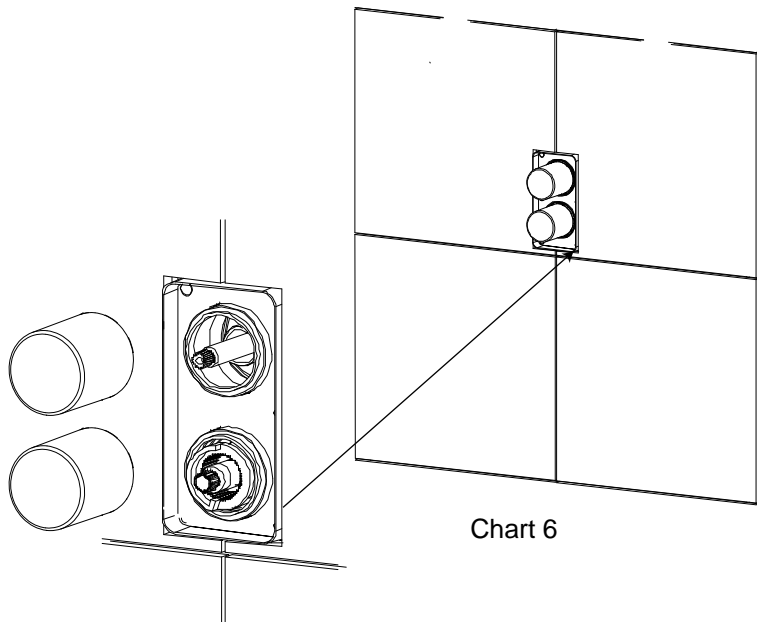
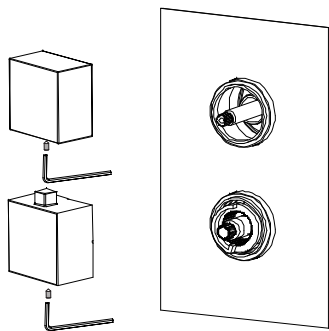


Chart 6

Remove plastic cover from thermostatic mixer body
once surface is flush



Place and press the thermostatic plate and against the tile wall
From beneath the handles, use hex key to tighten the set screw
for the diverter and mixer control handle.

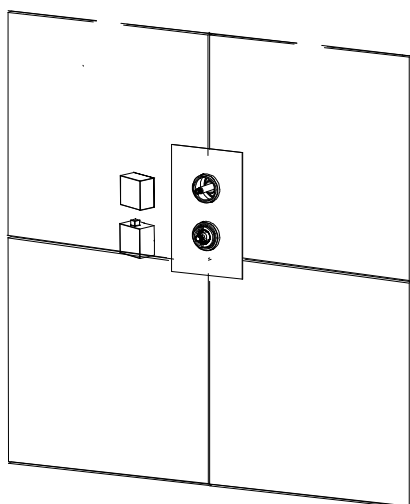


Chart 7

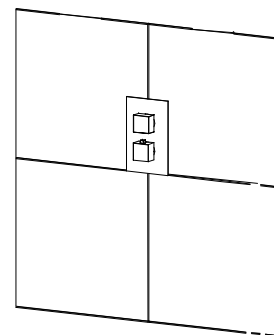


Chart 8

Installation is complete.