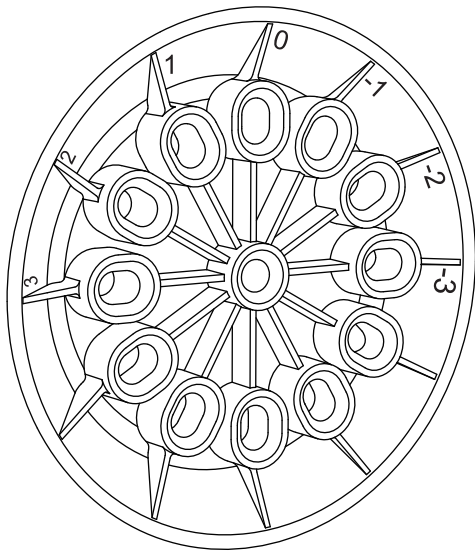



# INSTALLATION GUIDE



 This instruction must be given to the user.  
 Guarantee/Liability only when assembled by an approved specialist in accordance with the instructions and local regulations.

## USER MANUAL

### Creative Installtion Mode for Mirrors - Eccentric adjustable disc design

The design can allow the tolerance adjusted by  $\pm 3\text{mm}$  horizontally to achieve accurate installation and improve the one-time installation rate.

#### BEFORE YOU BEGIN

- Please read these instructions carefully to familiarize yourself with the required tools, materials, and installation sequences. Follow the sections that pertain to your particular installation. This will help you avoid costly mistakes. In addition to proper installation, read all operating and safety instructions.
- All information in these instructions is based upon the latest product information available at the time of publication.

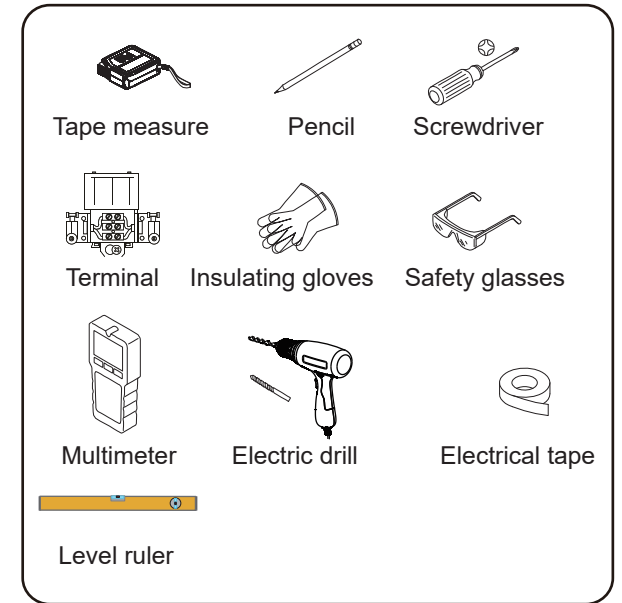
#### SAFETY WARNINGS

Veneto Bath products are precision-engineered and should give continued superior and safe performance, provided:

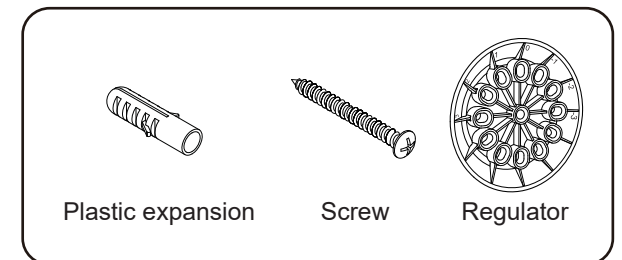
1. They are installed, commissioned, operated and maintained in accordance with the recommendations given in this Manual.
2. Periodic attention is given, as necessary, to maintain the product in good functional order. Carefully inspect the new fixture for any signs of damage. When installing Veneto Bath Products, manufacturers guidelines for power tool safety should be followed.

## TOOLS LIST

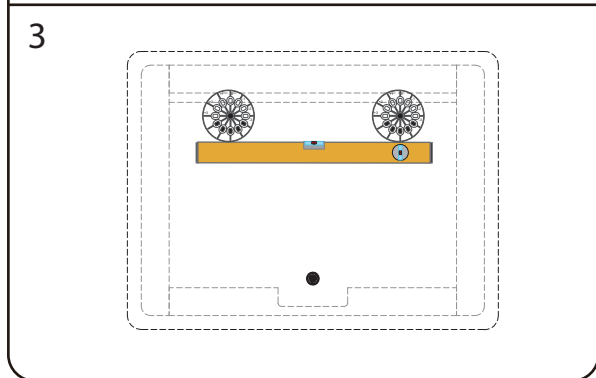
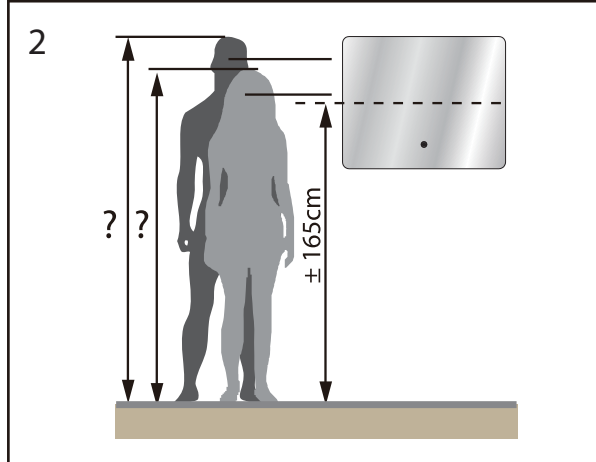
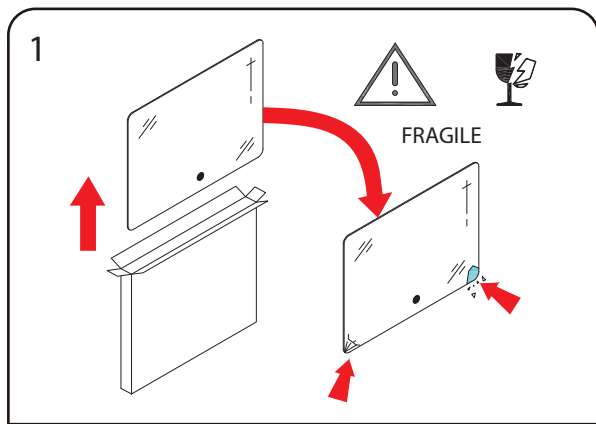
#### TOOLS AND MATERIALS REQUIRED (Not supplied)



#### After unpacking, please confirm the parts and quantity according to the following.

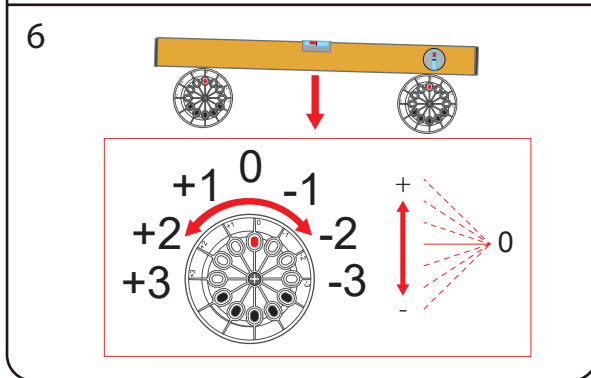
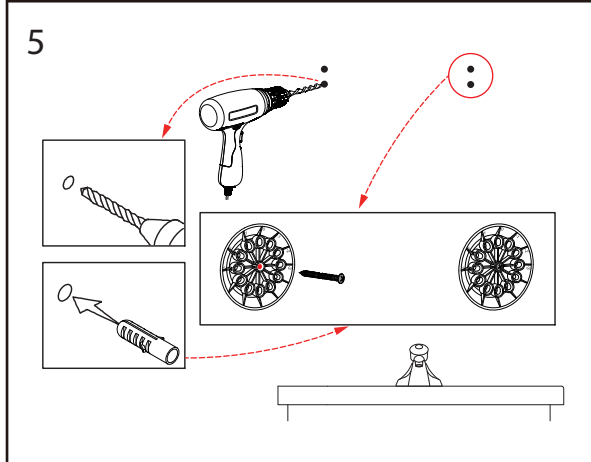
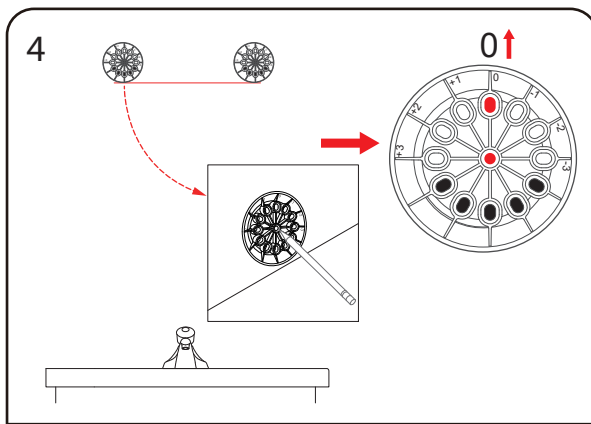


# INSTALLATION INSTRUCTIONS



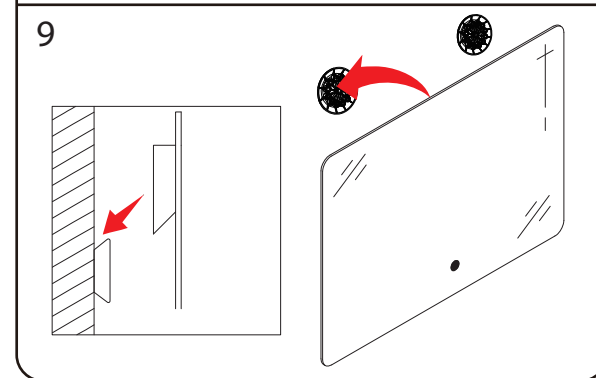
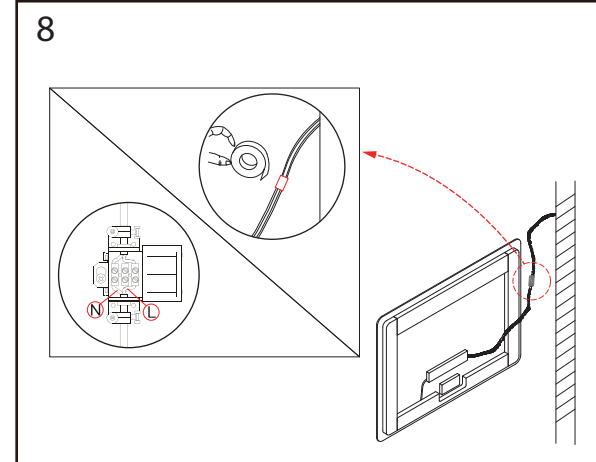
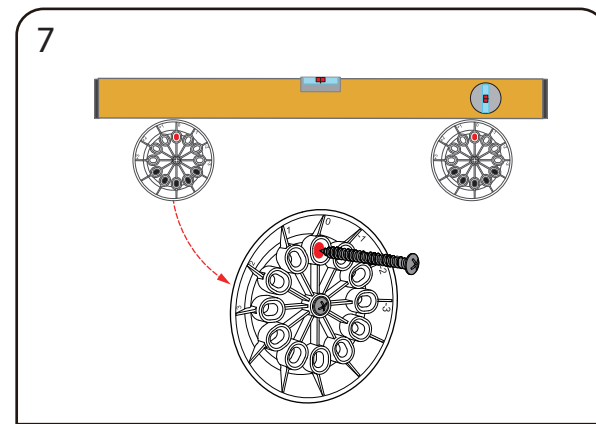
3

# INSTALLATION INSTRUCTIONS



4

# INSTALLATION INSTRUCTIONS



5