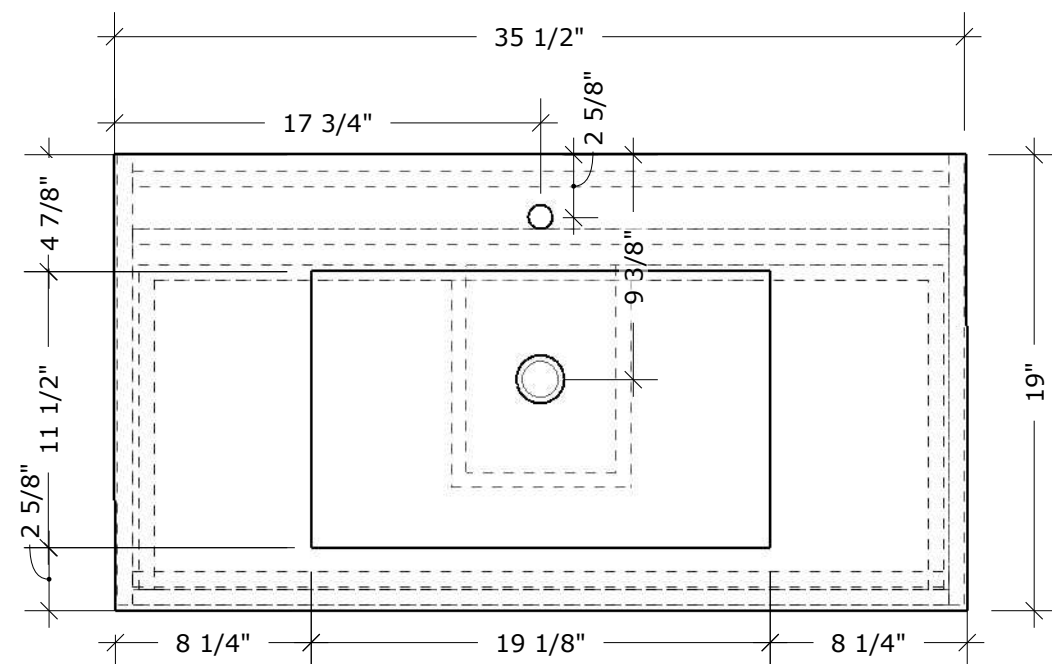
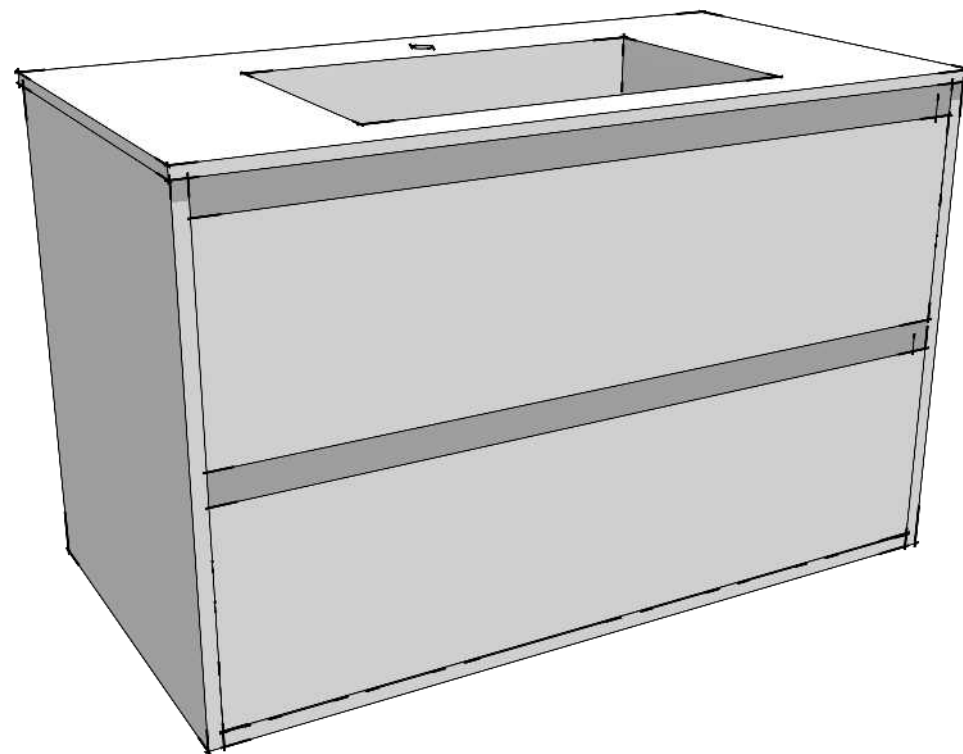
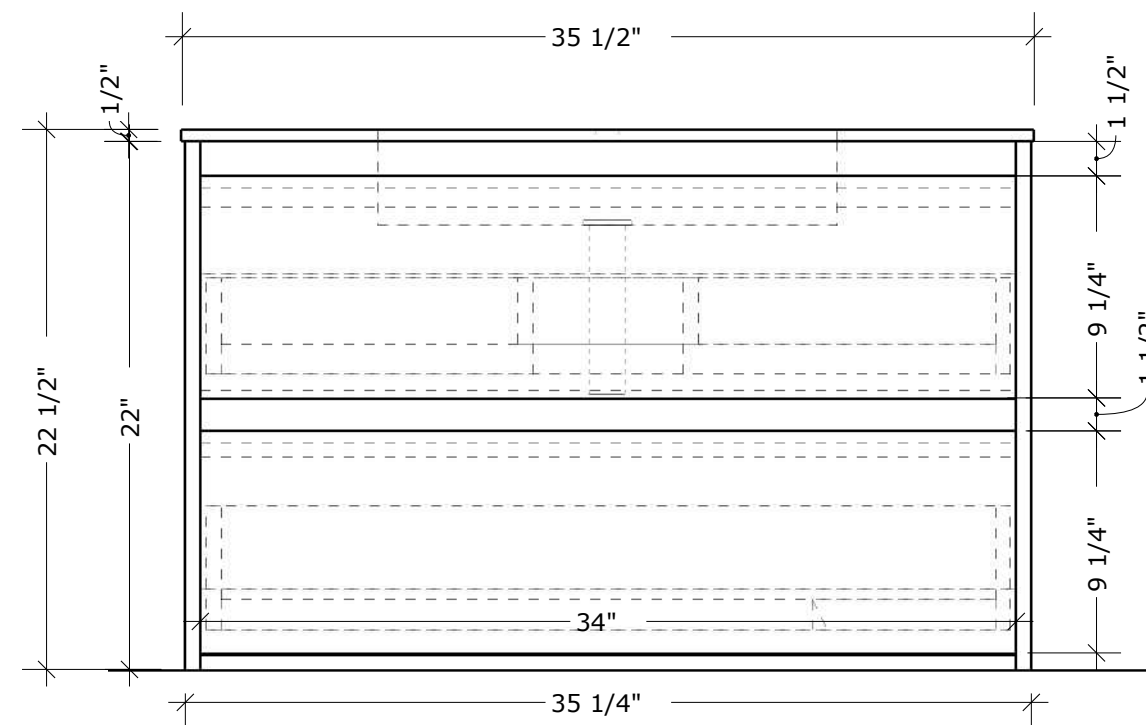


**OVERALL  
DIMENSIONS**

W35.5" X H22.5" X D19"



**PLAN**



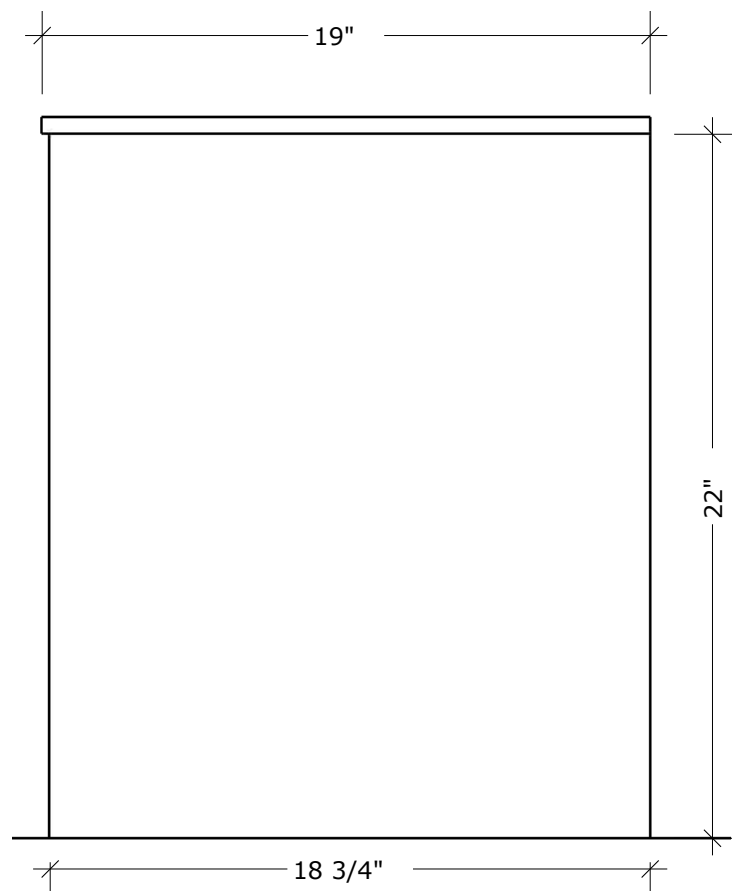
**FRONT ELEVATION**



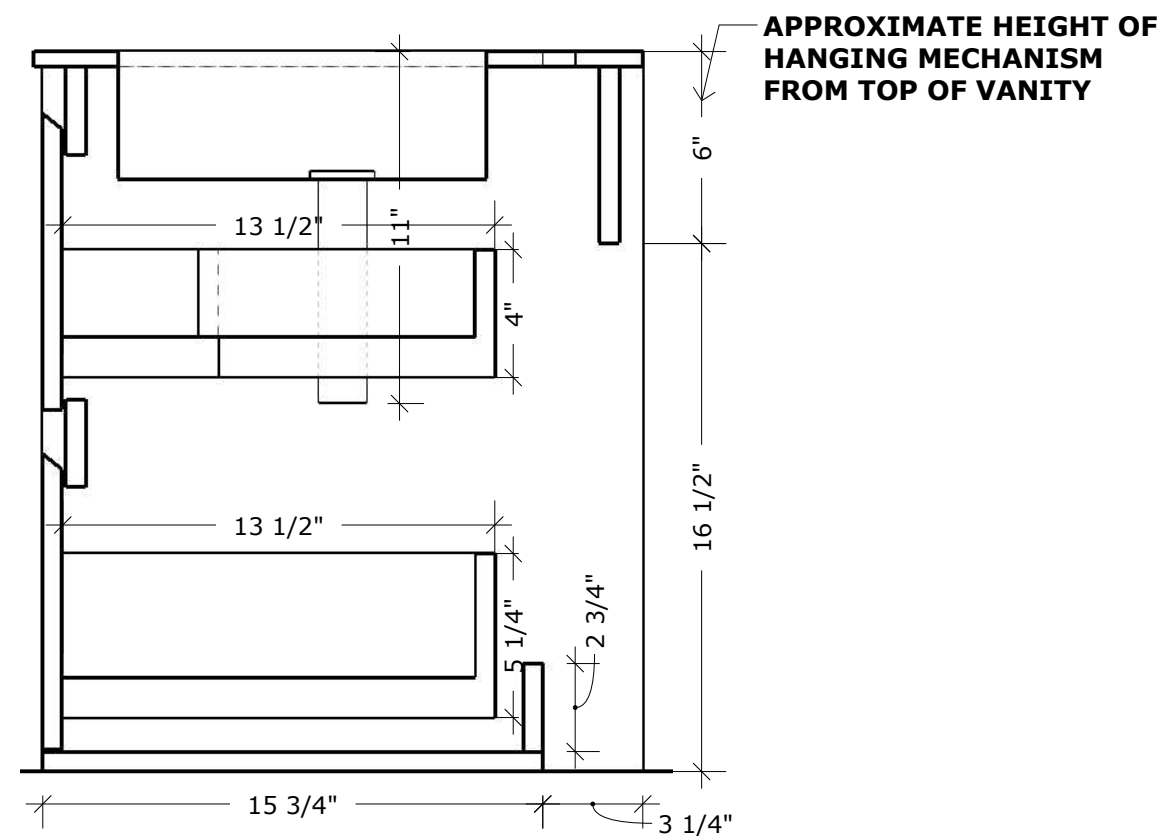
**PRODUCT CODE**  
MC 900E

**OVERALL  
DIMENSIONS**

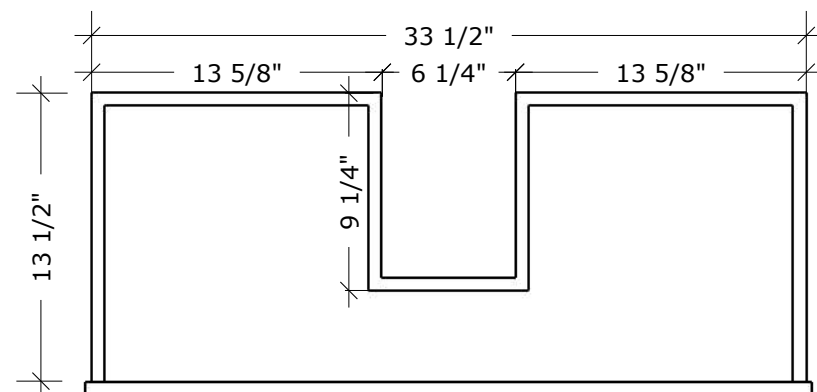
W35.5" X H22.5" X D19"



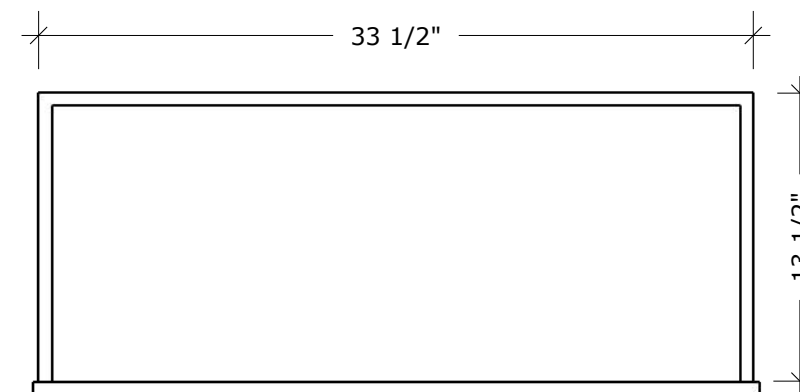
SIDE ELEVATION



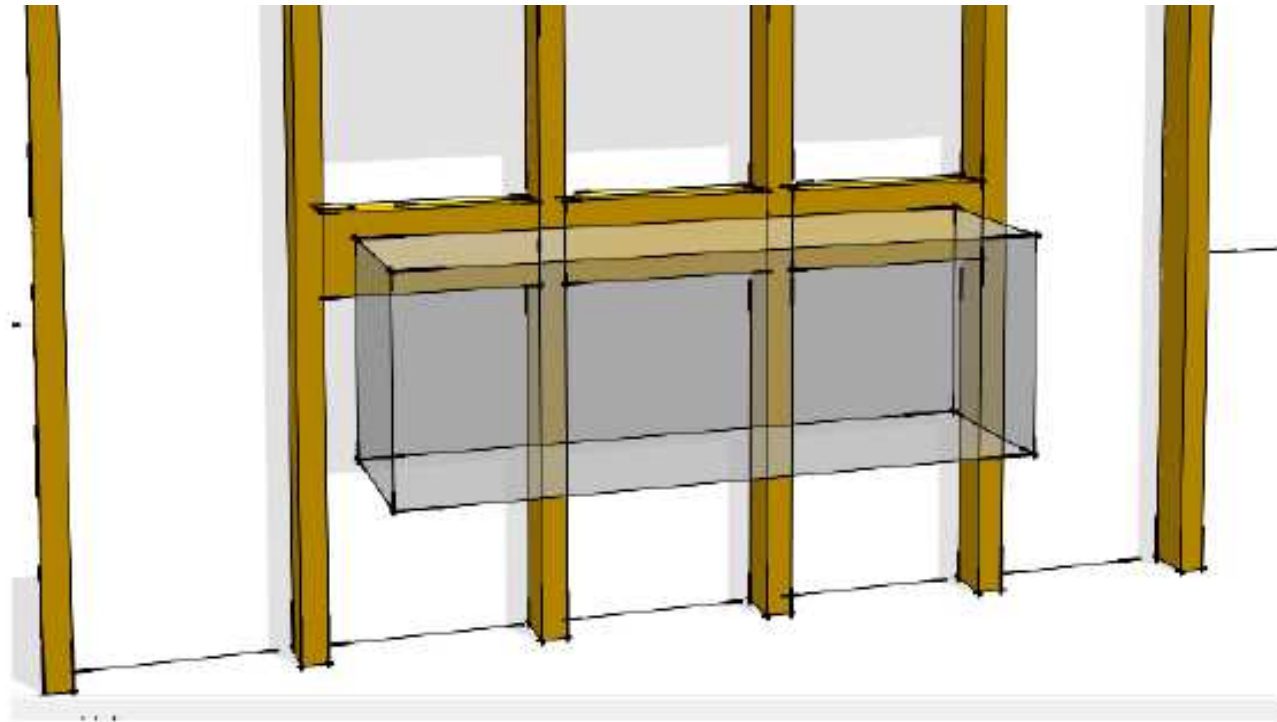
SECTION CUT



DRAWER



**PRODUCT CODE**  
MC 900E



**FLOATING VANITY**

**FLOATING CABINETRY ARE REQUIRED TO BE REINFORCED WITH TWO OR THREE LAYERS OF 2X6 STUDS BETWEEN THE STUDS.**

**FOR VANITY, HEIGHT OF BLOCKING SHOULD BE AT THE TOP OF THE CABINETRY (NOT INCLUDING COUNTERTOP)**