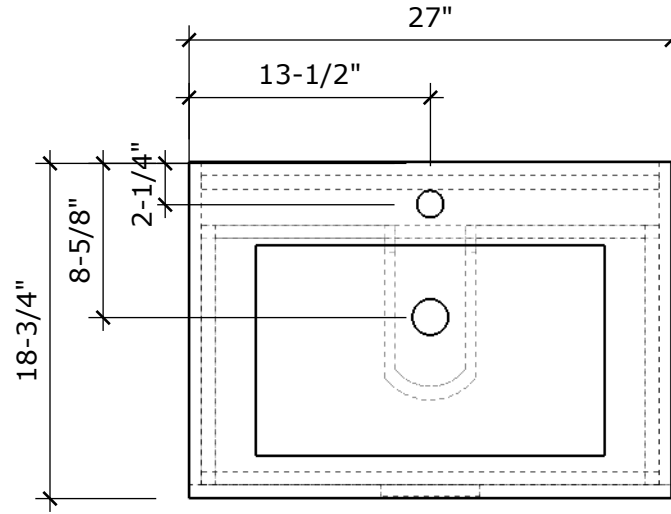
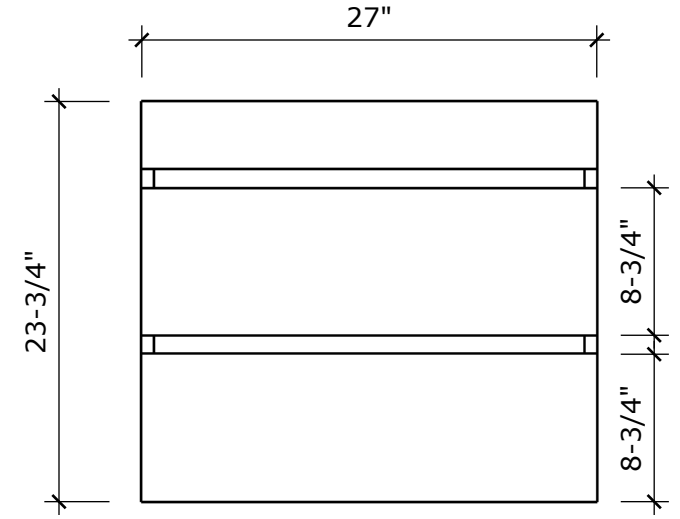


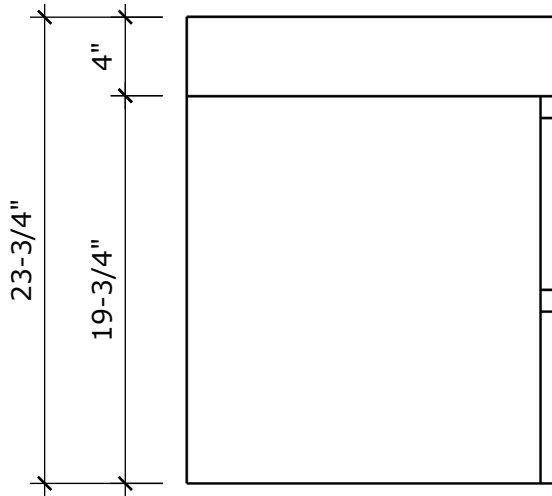
MODEL NAME: MC 690C
PERSPECTIVE



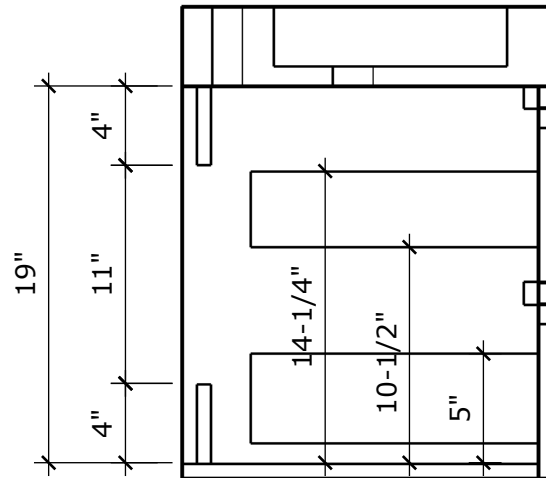
PLAN



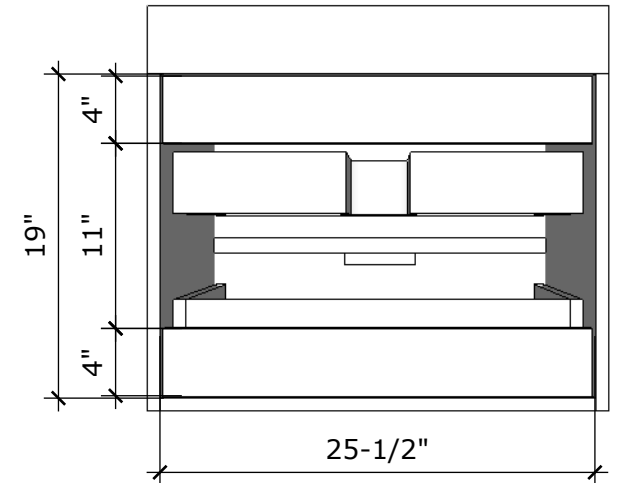
FRONT ELEVATION



SIDE ELEVATION

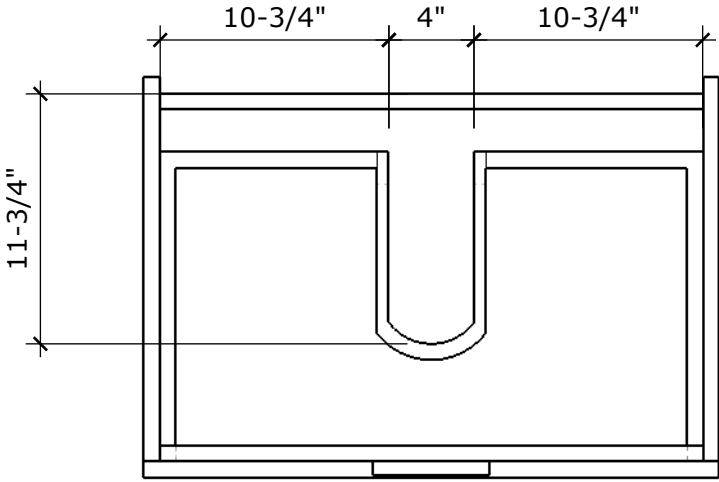


SECTION CUT

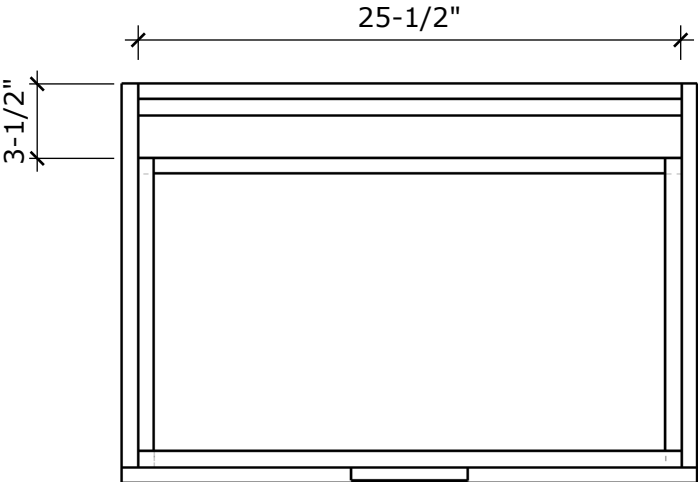


BACK VIEW

MODEL NAME: MC 690C



TOP DRAWER
U-SHAPE INSERT



BOTTOM DRAWER
FULL DRAWER