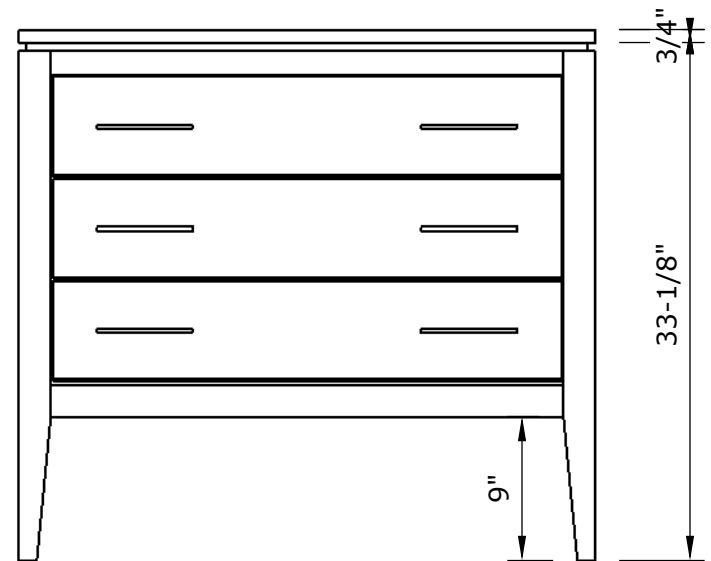
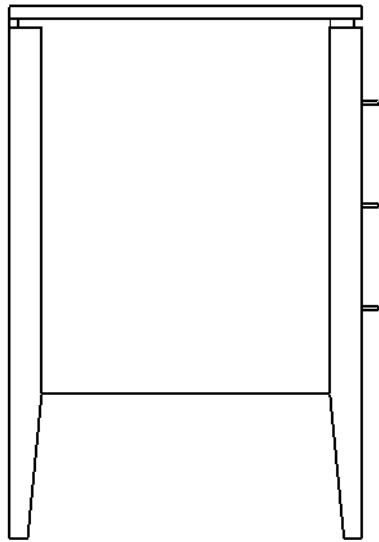


PLAN

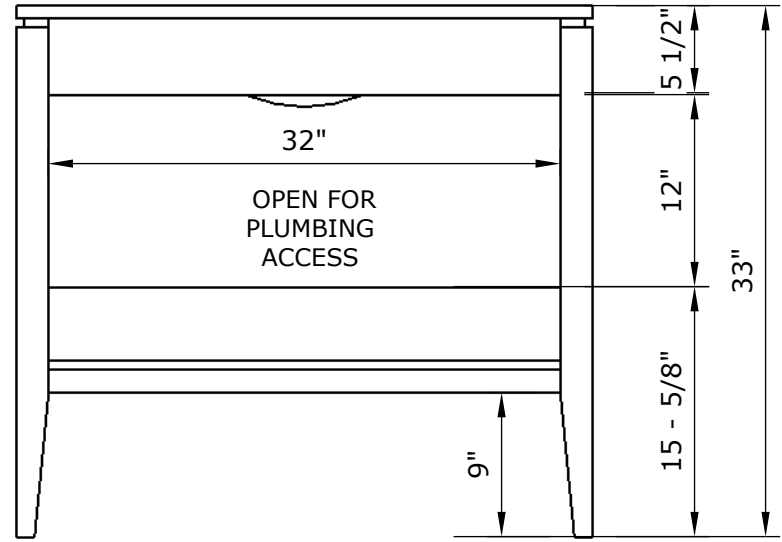


FRONT ELEVATION

MC 4002-36

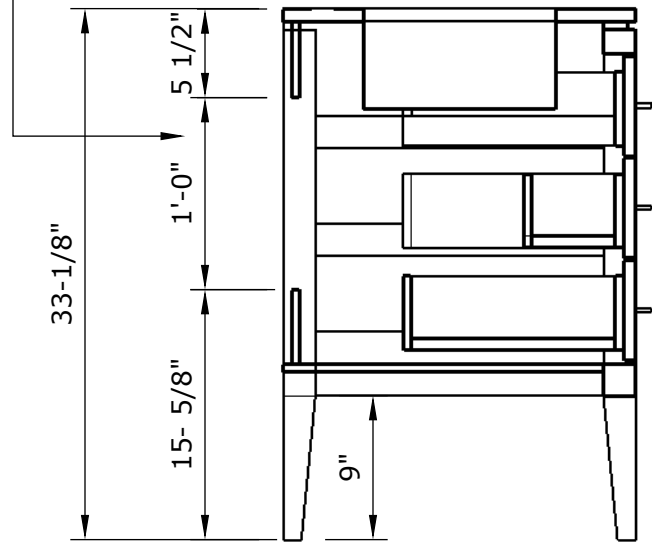


SIDE ELEVATION

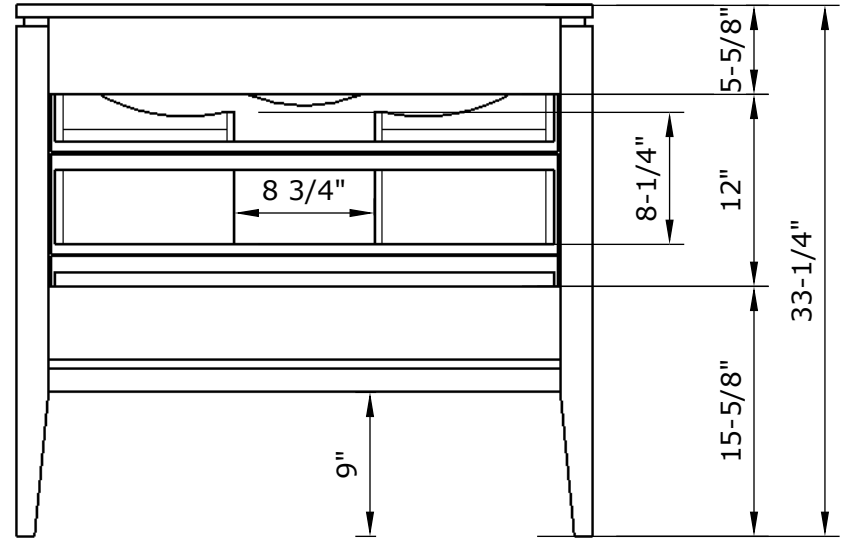


BACK ELEVATION WITHOUT DRAWERS

● PLUMBING ACCESS CUT OUT HEIGHT

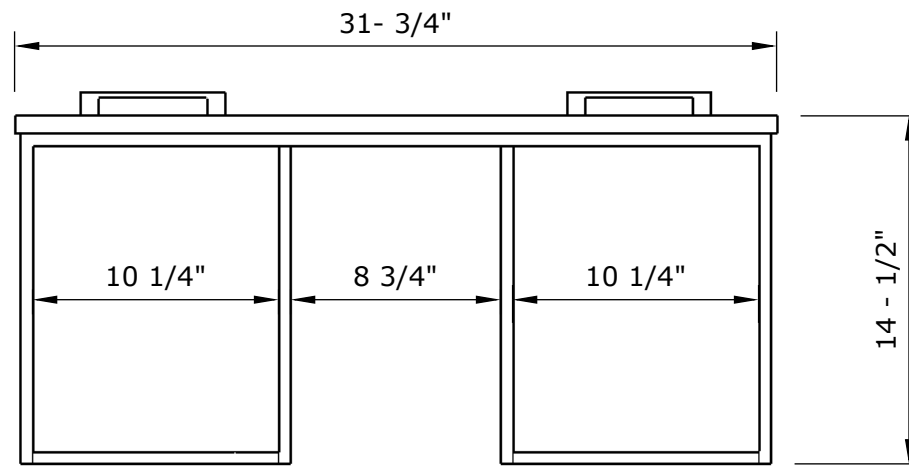


SECTION



BACK ELEVATION WITH DRAWERS

TOP DRAWER PLAN



MIDDLE DRAWER PLAN

