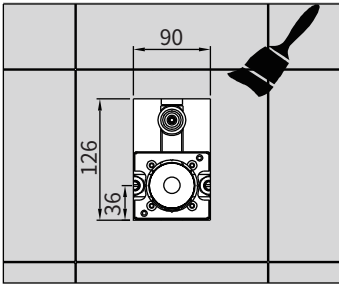
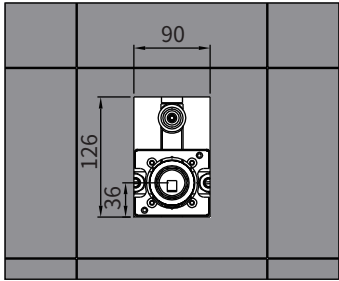
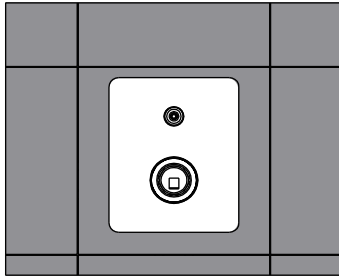
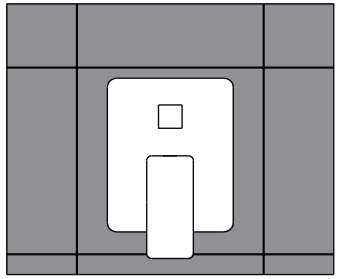
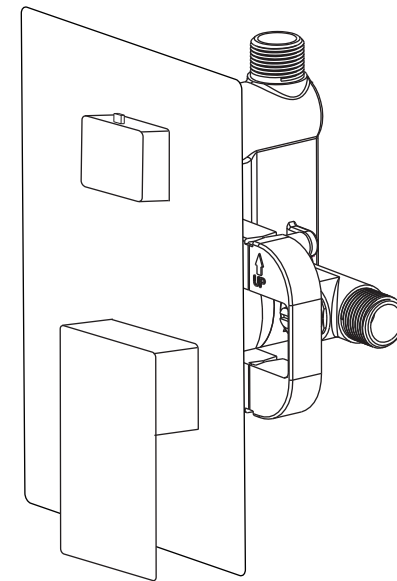
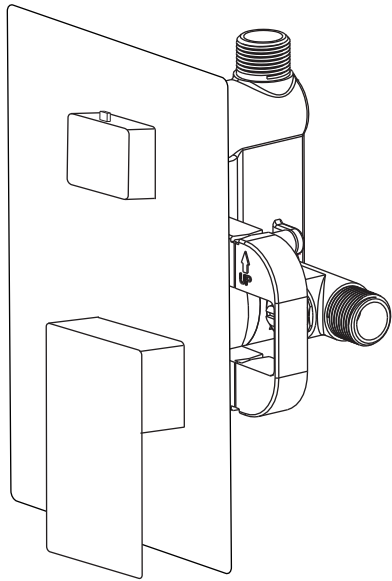


PRODUCT MANUAL

	<p>Chart4</p> <p>Create a dry wall around the valve box and brush with water proof glue and cement.</p>
	<p>Chart5</p> <p>Leave 126*90mm hole on the tile for the valve. Take out the handle protection cover.</p>
	<p>Chart6</p> <p>Put valve cover on.</p>
	<p>Chart7</p> <p>Put handles in sequence and fix with screws to finish the installation.</p>



01 / PRODUCT



02 / TOOLS NOT INCLUDED

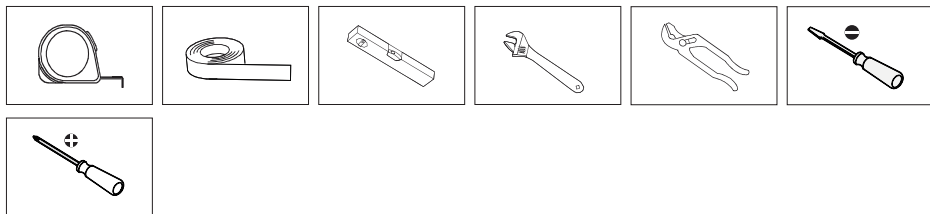


Chart3

Option2
Welding solution:
Before welding, take out all the accessories as left chart and leave only the valve body for pipelines welding. After pipelines are welded, put back all the accessories to the valve body except the two wings. Test water pipelines to avoid leakage.

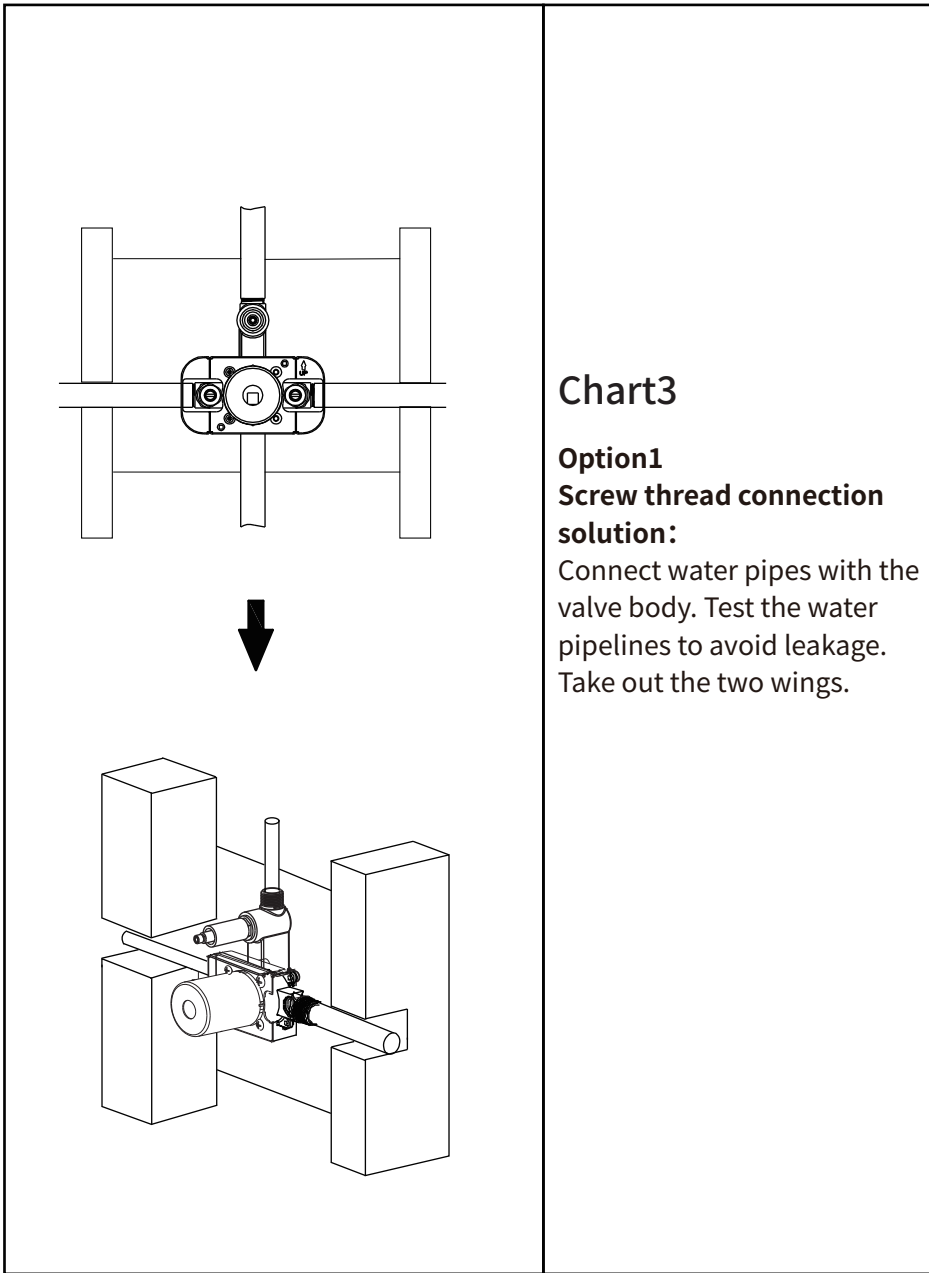
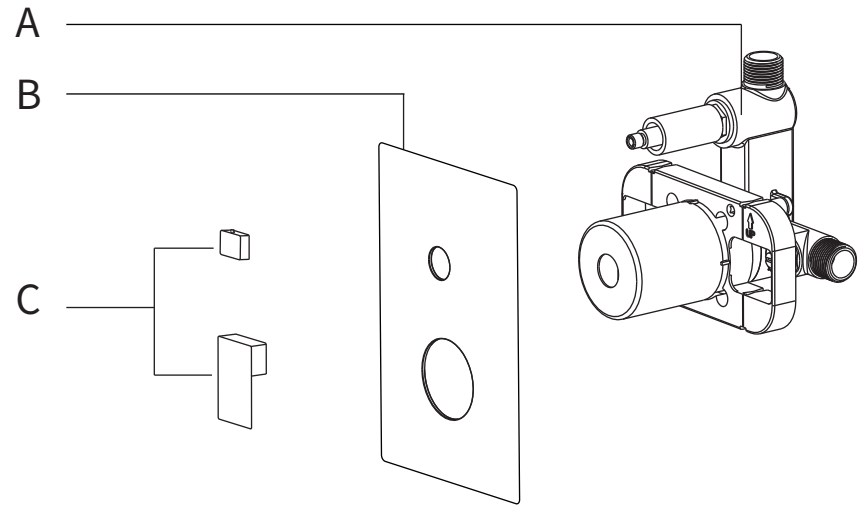


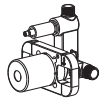

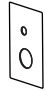

Chart3

**Option1
Screw thread connection
solution:**

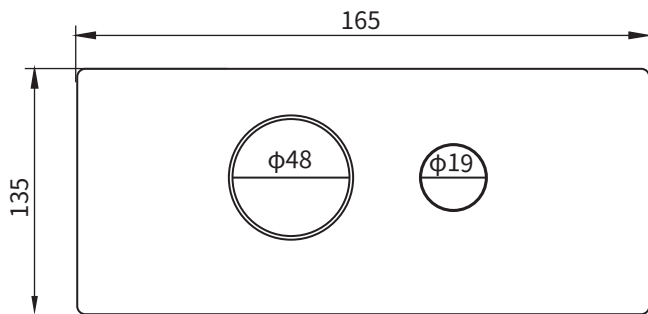
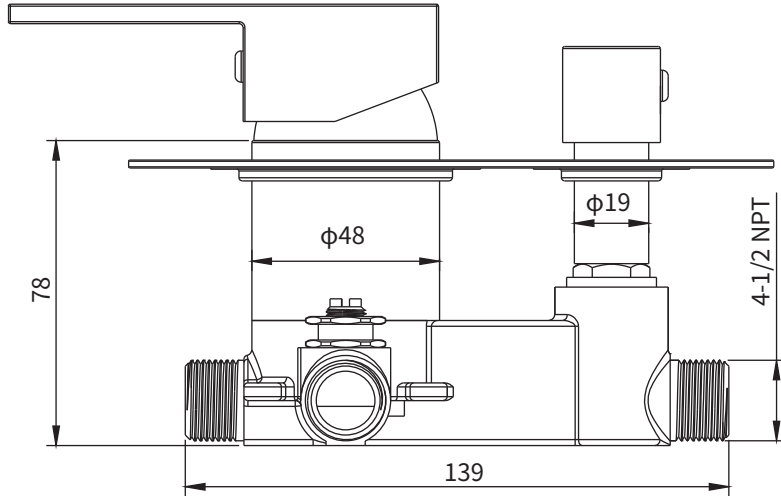
Connect water pipes with the valve body. Test the water pipelines to avoid leakage. Take out the two wings.

03/ SPARE PART LIST



A(1PC)		C(1PC)	
B(1PC)			

04/ DIMENSIONS



05/ INSTALLATION

<p>①</p>	<p>Chart1</p> <p>Flush the water supply lines thoroughly to drain debris and impurities. Shut off the water before installation.</p>
<p>②</p>	
<p>③</p>	

	<p>Chart2</p> <p>Fix a wood plate to the two wood pipes for faucet installation.</p>
--	--