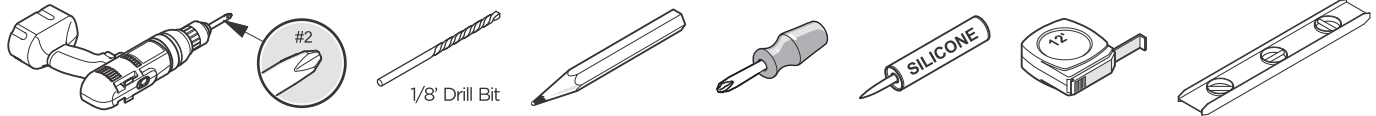
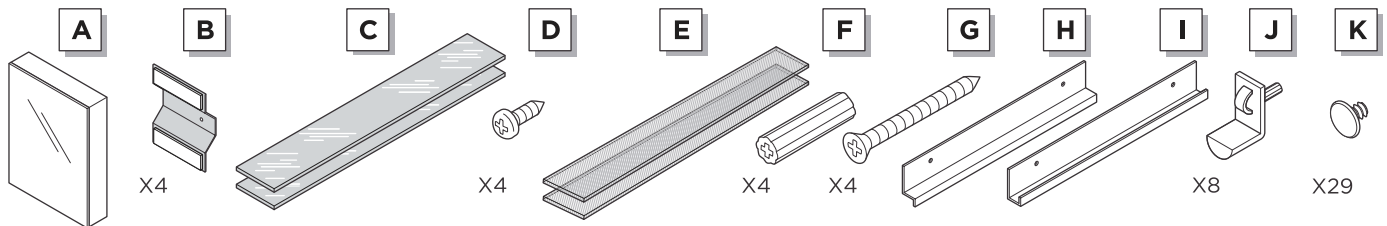


Tools Required For Assembly

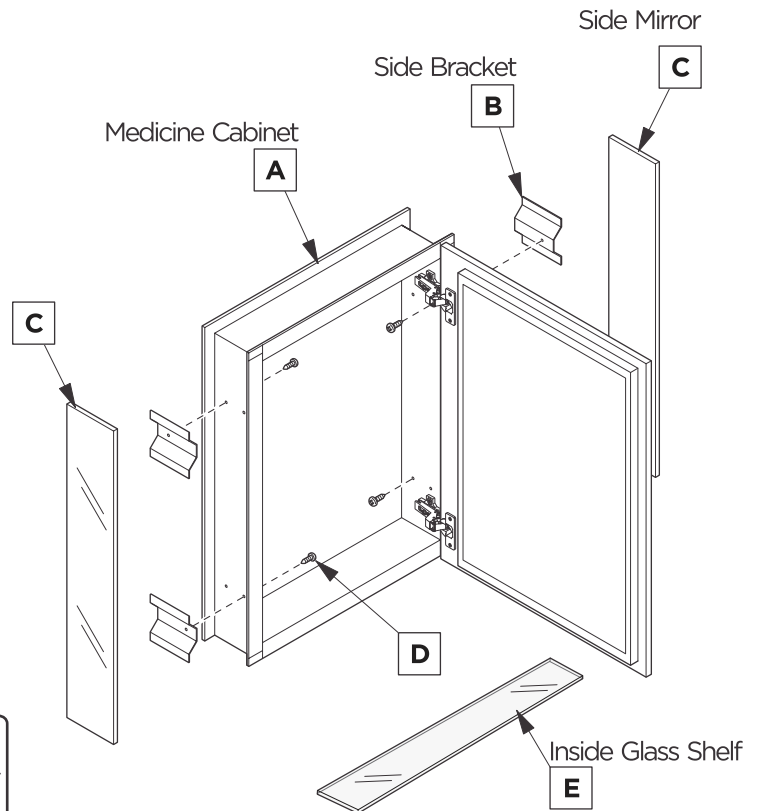
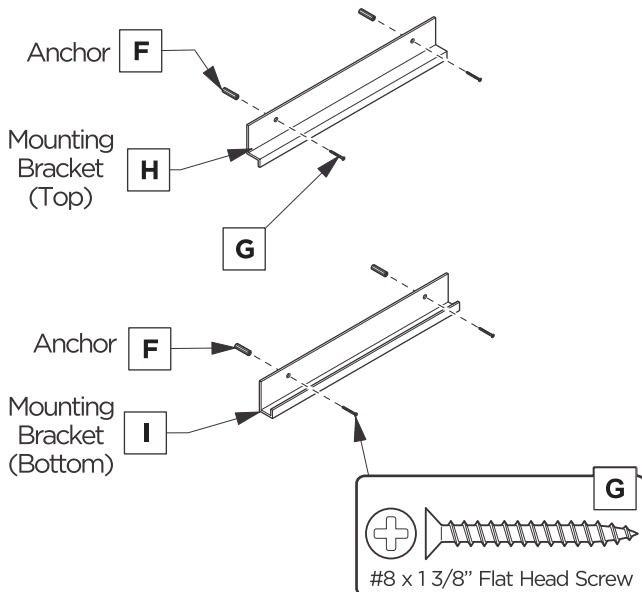


Supplied Parts



CABINET DIMENSIONS

MODEL	WIDTH	HEIGHT	DEPTH
FMC8058	19 1/2"	26"	5"
FMC8090	29 1/2"	26"	5"
FMC8010	39 1/2"	26"	5"

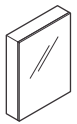


WARNING: Risk of property damage. Use anchors rated for the loaded weight of this product. Refer to the anchor manufacturer's instructions.

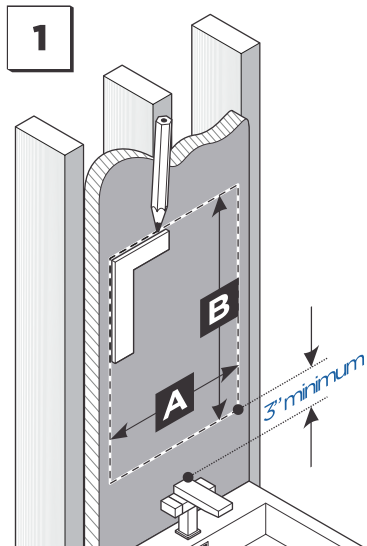


DANGER: Risk of electric shock. Avoid existing electrical wiring or plumbing when mounting this product to the wall.

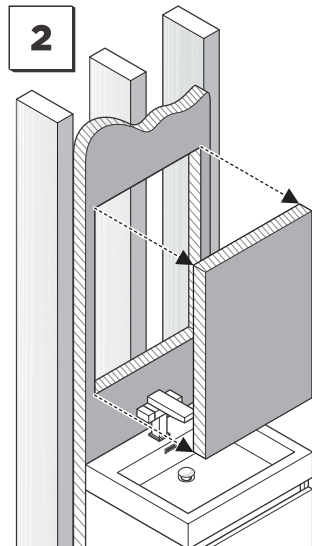




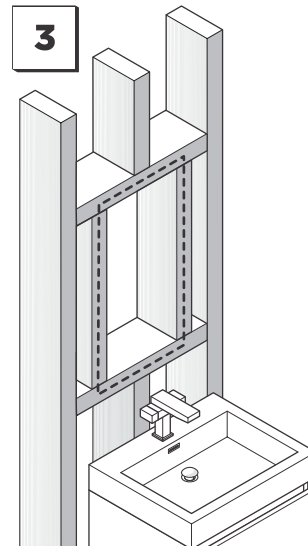
Recess-Mount Installation



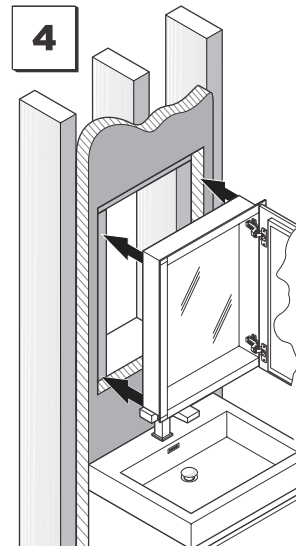
Draw the perimeter of the medicine cabinet.



Place and hold the cabinet in the cutout opening.



Frame the cutout opening.

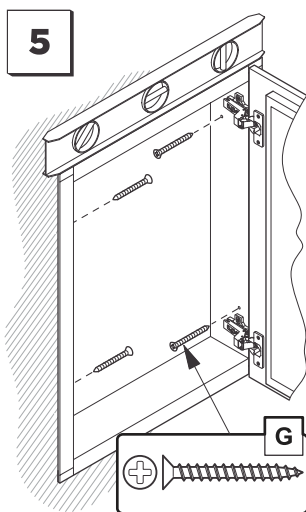
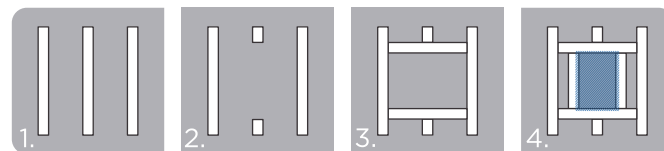


Cut the marked perimeter with the appropriate tool.

ROUGH IN DIMENSIONS

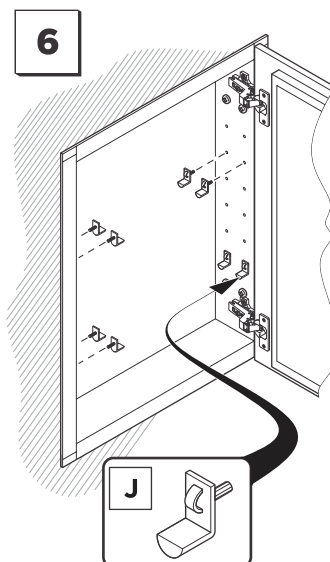
MODEL	WIDTH A	HEIGHT B	DEPTH
FMC8058	18 3/4"	25 1/8"	3 3/4"
FMC8090	28 5/8"	25 1/8"	3 3/4"
FMC8010	38 3/8"	25 1/8"	3 3/4"

4 STEPS TO FRAME THE CUTOUT OPENING

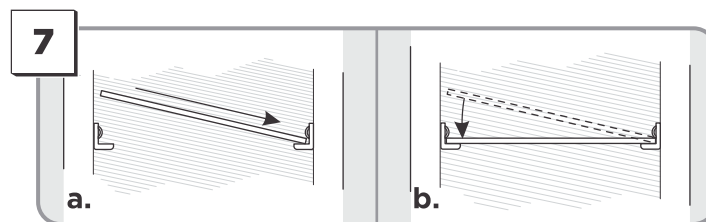


#8 x 1 3/8" Flat Head Screw

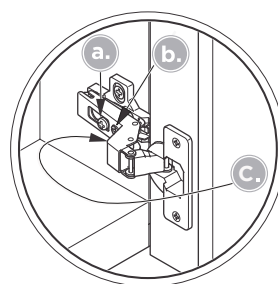
Level, then secure the cabinet with screws (**G**) through the mounting holes into the framing studs.



Choose the position for your shelves then push and twist the snap-in pins (**J**) into place.

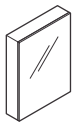


- Push a side of the shelf (**C**) into left or right pins (**J**).
- Snap the shelf (**C**) down into the opposite side.
- Fill remaining holes with the plugs (**K**).

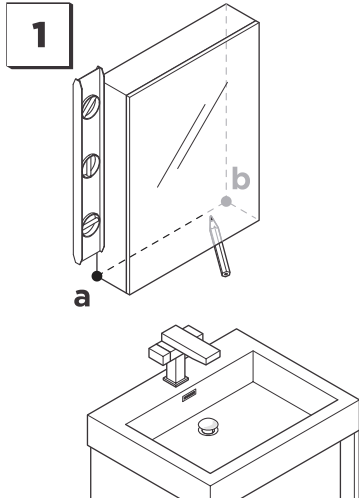


OPTIONAL DOOR ADJUSTMENT:

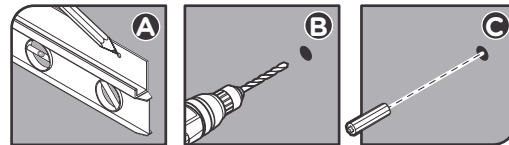
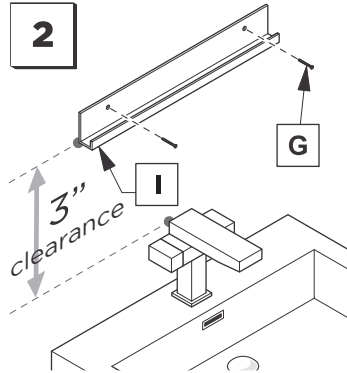
- This screw allow you to adjust pitch side to side.
- This screw releases cabinet's door and allows up and down adjustment.
- This screw allow you to adjust the gap between doors.



Surface-Mount Installation



Level and mark the medicine cabinet location from point **a** to point **b**.



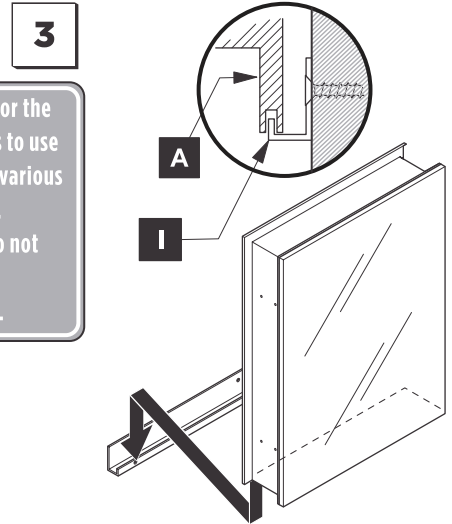
Level and mark.

Drill the hole with a 3/16" bit.

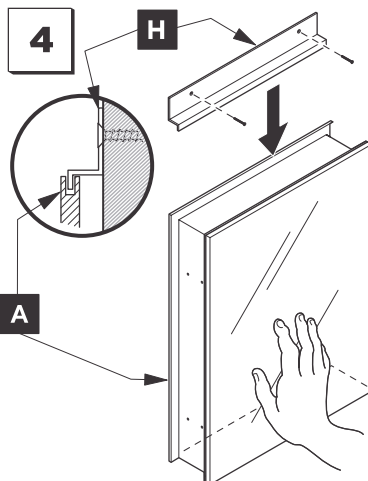
Insert the anchors.

D Install the bottom bracket.

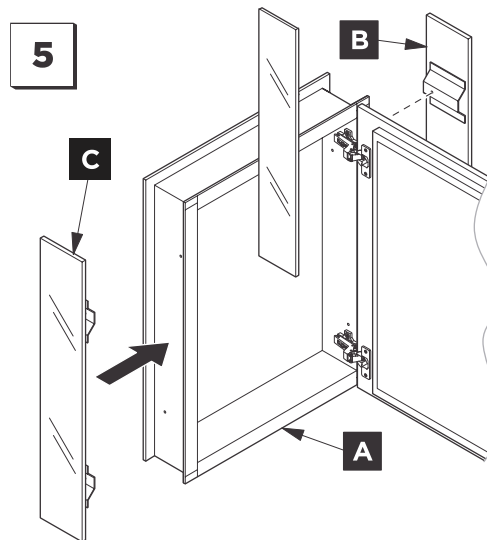
Consult an expert for the proper screw/bolts to use when attaching to various wall constructions. Screws provided do not attach to all wall construction types.



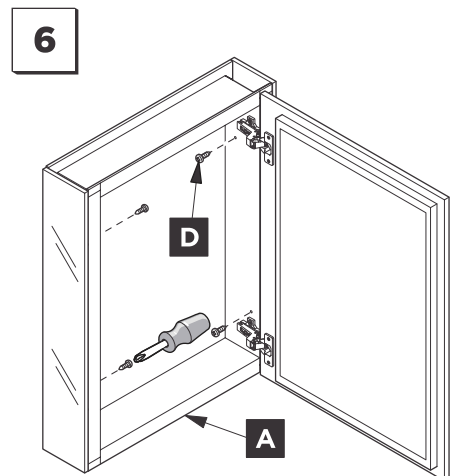
With assistance, rest the cabinet on the mounting bar and hold in place.



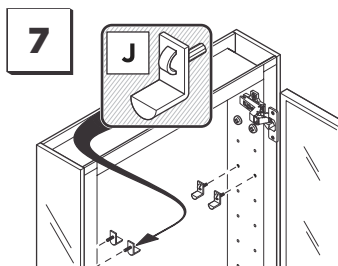
Hold the cabinet then fit the top bracket (**H**) on to the top of the cabinet then attach the bracket to the wall.



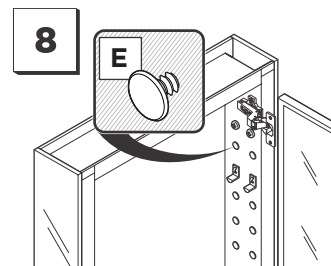
Align mirrored side panel (**C**) with each side of the cabinet.



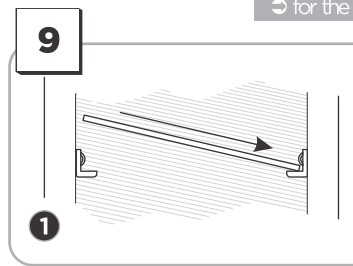
Secure mirrored side panels with provided screws (**D**) using screwdriver.



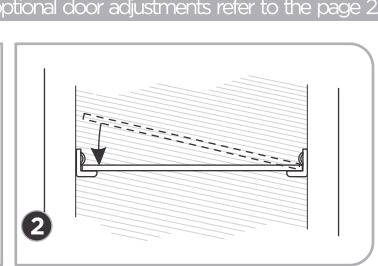
Push and twist the snap-in pins (**L**) into place.



Fill remaining holes with the plugs (**E**).



Push a side of the shelf (**E**) into left or right pins (**J**).



Snap the shelf (**E**) down into the opposite side.

→ for the optional door adjustments refer to the page 2.